
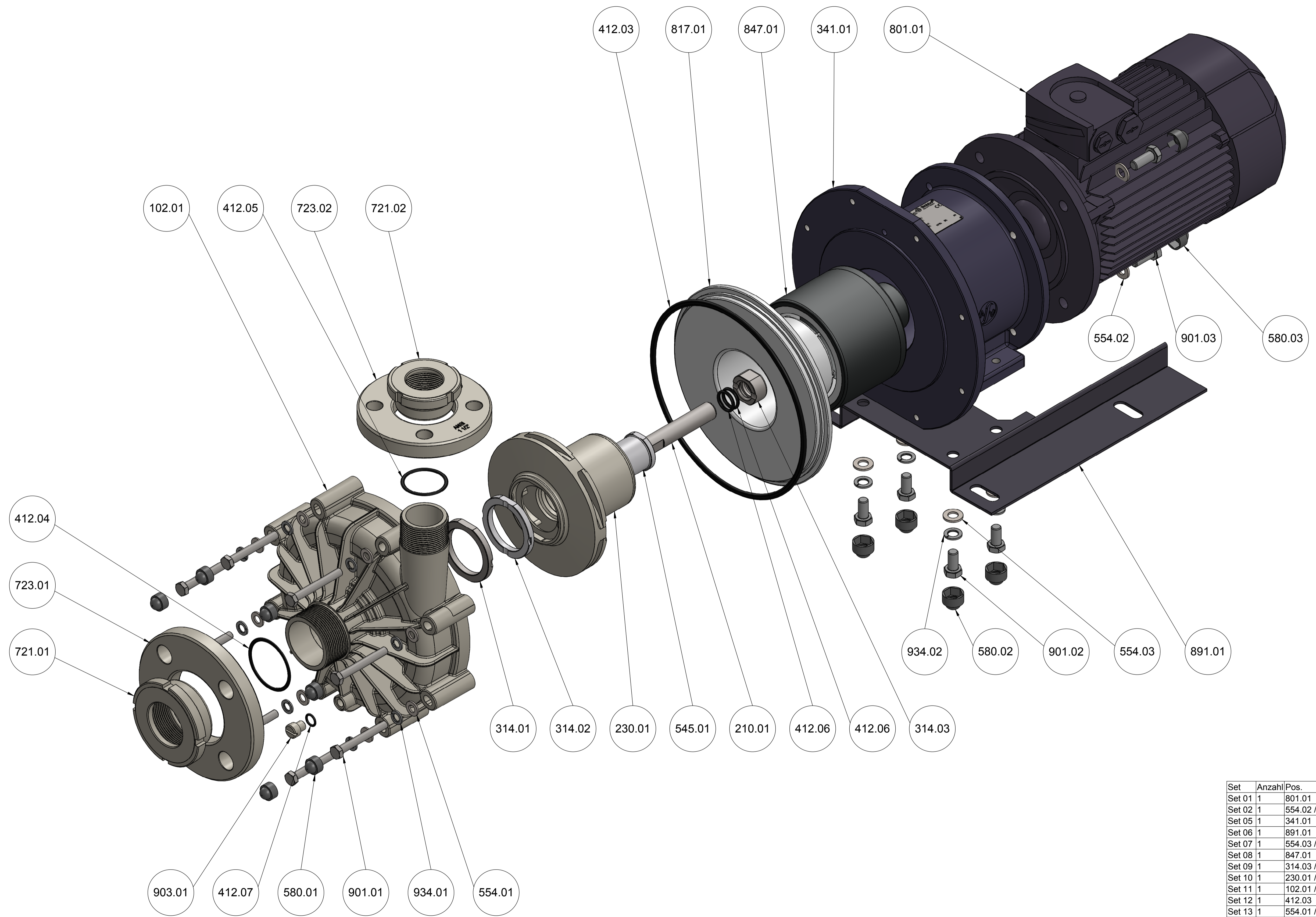


external drawing number:			
CAD drawing	Copyright reserved		
designed:	date:	part name:	
checked:	20.12.17	SHM50-40L 2,2kW ANSI-Flansch	
 <b>Stübbe</b> Partner for Solutions		ASV Stübbe GmbH & Co.KG Postfach 1765 D-52291 Virehe	ident no.: <b>180731</b>
deduced from:		index:	format: sheet:
filename: 180731_SHM50-40L 2,2kW ANSI-Flansch		-	A1 1 2 sheets


This is a drawing derivation of a 3D model. Changes must be carried out in the 3D model.



Set	Anzahl	Pos.
Set 01	1	801.01
Set 02	1	554.02 / 580.03 / 901.03
Set 05	1	341.01
Set 06	1	891.01
Set 07	1	554.03 / 580.02 / 901.02 / 934.02
Set 08	1	847.01
Set 09	1	314.03 / 412.06 / 817.01
Set 10	1	230.01 / 314.02 / 545.01
Set 11	1	102.01 / 210.01 / 314.01 // 412.07 / 903.01
Set 12	1	412.03
Set 13	1	554.01 / 580.01 / 901.01 / 934.01
Set 14	1	412.07 / 903.01
Set 15	1	412.04 / 721.01 / 723.01
Set 16	1	412.05 / 721.02 / 723.02

external drawing number:

CAD drawing	Copyright reserved	date:	part name:
designed: 20.12.17	checked:	date:	SHM50-40L 2,2kW ANSI-Flansch


**ASV Stübbe** GmbH & Co.KG  
 Postfach 1765  
 D-32291 Vlotho

ident no.: **180731** index: **-** format: **A1** sheet: **2**  
 deduced from: filename: 180731\_SHM50-40L 2,2kW ANSI-Flansch

This is a drawing derivation of a 3D model. Changes must be carried out in the 3D model.